

جامعة الأميرة  
نورة بنت عبدالرحمن  
كلية علوم الحاسب والمعلومات



# Information Systems Department

**BSc in Information Systems Program**  
**BSc in Data Science and Analytics Program**

**Curriculum  
Plan**



**2021 - 2022**



# Introduction

In light of the technological development that the world is witnessing in general, and the Kingdom of Saudi Arabia in particular, Princess Nourah bint Abdulrahman University (PNU) assumed a leading role in keeping abreast with this development and positively participates in the preparation of qualified academic cadres in the fields of Information Systems.

The Information Systems Department at the College of Computer and Information Sciences (CCIS) offers two Bachelor of Science (BSc.) Programs, a BSc in Information Systems Program and a BSc in Data Science and Analytics Program. All the specialization courses in these programs are taught in English. The Department has a number of faculty members who are both experienced and efficient; a matter that contributes to the achievement of the Department's vision and set objectives.

# **BSc in Information Systems Program**



## **Program Vision**

Achieve local and regional excellence and creativity in the fields of Information Systems.

## **Program Mission**

Keep abreast with developments to meet local and regional labor market needs of women cadres, and utilize knowledge in the fields of computer systems, by providing academic courses and scientific research that comply with local and regional quality standards.

## **Program Objectives**

1. Prepare specialized women cadres in the field of Computer Information Systems able to compete in the labor market.
2. Lay the foundations for scientific research by preparing students and providing them with the necessary mechanisms and methodologies to achieve this and further develop in the fields of Computer Information Systems.
3. Develop communication skills and strengthen analysis and presentation skills to help them interact with the work environment.
4. Achieve standards of quality and academic accreditation locally and regionally.

## **Program Educational Objectives (PEOs)**

Program graduates will be able to:

1. Apply their skills to deal with the technological challenges in the field of Information Systems in order to fulfill society and labor market requirements.
2. Pursue advanced studies, learn independently, grow intellectually and start their own businesses.
3. Meet the needs of the regional industries, participate in community activities, understand the role of technological safety and ethics and the impact of their actions on the society and the environment.

## **Career Opportunities**

Graduates of the Information Systems Program can work in Banks, Hospitals, Educational Institutions, and Private and Public Sector Institutions.

The Information Systems academic Program was specifically designed to provide students with the knowledge and skills required to join labor forces in Saudi Arabia and the world. The program qualifies women cadres capable of working in various Information Systems related jobs in the public and private sectors, including, but not limited to:

- Database Management and Analysis
- Project Management
- Enterprise Resource Planning.
- Information Security.
- Design and Analysis of Information Systems

## **BSc in Information Systems Program Requirements**

In order for students to graduate with a Bachelor degree in Information Systems, they are required to fulfill 127 credit hours, which are distributed among various components as shown in Table.1.

**Table 1: BSc In Information Systems Program Requirements**

Requirements		Credit Hours
University Requirements		18
College Requirements	Compulsory	37
Program Requirements	Compulsory	59
	Elective	9
Elective outside the college (Free Courses)		ε
Total Credit Hours :		127

**Table 2: University Requirements (18 credits)**

Code	Course Title	Credits	Prerequisite
ISLS 101	Islamic Culture (1)	2	-
ISLS 102	Islamic Culture (2)	2	ISLS 101
ISLS 103	Islamic Culture (3)	2	ISLS 101
ISLS 104	Islamic Culture (4)	2	ISLS 101
ARAB 101	Arabic Composition	2	-
ARAB 202	Language Skills	2	-
ENG 101-1	English Language (1)	3	-
ENG 102-2	English Language (2)	3	ENG 101-1
Total :		18 Credit hours	

**Table 3: College Requirements (37 credits)**

Code	Course Title	Credits	Prerequisite
Math 101T	Calculus (1)	3	-
CS 212T	Data Structures	3	CS 111T
CS 110T	Programming Language (1)	4	-
CS 111T	Programming Language (2)	4	CS 110T
IT 221T	Computer Networks Fundamentals	3	-
Math 161T	General Statistics	3	-
IS 220T	Database Fundamentals	4	CS 111T
CS 380T	Professional Ethics	1	-
IS 350T	Projects Management	3	CS 212T
CS 100T	Discrete Structures	3	-
CS 340T	Operating Systems	3	CS 212T
CS 351T	Human-Computer Interaction	3	CS 212T
Total :		37 Credit Hours	

**Table 4: Program Requirements (59 credits)**

<b>Code</b>	<b>Course Title</b>	<b>Credits</b>	<b>Prerequisite</b>
IS 130T	Information Systems (1)	3	-
IS 231T	Information Systems (2)	3	IS 130T
IS 322T	e-Business Systems Design	3	IS 231T
IS 233T	Information Systems Analysis and Design	3	IS 231T + IS 220T
IS 334T	Multi-tier Applications Development	3	CS 111T + IS 220T
IS 221T	Database Management	3	IS 220T
IS 324T	Information Systems Security	3	IS 231T
IS 435T	Support and Decision Making Systems	3	IS 322T
IS 323T	Object Oriented Design	3	CS 111T , IS 233T
IS 410T	IS Management and Strategy	3	IS 231T
IS 340T	Enterprise Architecture	3	IS 323T , IS 334T
IS 322T	Data Warehousing and Data Mining	3	IS 221T , Math 161T
IS 451T	Graduation Project (1)	2	Completing 90 credit hours , IS 350T , IS 233T
IS 452T	Graduation Project (2)	2	IS 451T
IS 453T	Internship	4	Completing 90 credit hours
BUS 101	Principles of Business Administration	3	-
BUS 353	Entrepreneurship	3	-
ACCT 201	Principles of Financial Accounting	3	-
MKT 203	Principles of Marketing	3	BUS 101
HRM 214	Organizational Behavior	3	BUS 101

**Total : 59 Credit Hours**

**Table 5: Program Electives (Choose 3 Courses - 9 Credits)**

Code	Course Title	Credits	Prerequisite
IS 414T	Disaster Recovery Management	3	IS 324T
IS 362T	Business Process Management	3	IS 233T
IS 411T	IT Auditing and Control	3	IS 410T
IS 412T	IS Innovations and New Technologies	3	IS 410T
IS 342T	Enterprise Systems	3	IS 340T
IS 341T	Cloud Computing Management and Security	3	IS 340T
IS 413T	Risk Analysis Management	3	IS 350 T
IS 343T	Enterprise Resources Planning	3	IS 233T
IS 363T	Selected Topics (1)	3	-
IS 364T	Selected Topics (2)	3	-
CS 313T	Advanced Programming Language	3	CS 111T
CS 350T	Multimedia Systems	3	CS 212T
IS 437T	Development of E-Systems & Interface Design	3	IS 334T
IS 438T	E-Systems Applications	3	IS 332T
IS 465T	E-Business Strategies	3	IS 232T , BUS 101
IS 436T	Techniques of Decision Support Systems	3	IS 435T
IS 464T	Modeling & Simulations Fundamentals	3	IS 233T
IS 425T	Intelligent Systems	3	IS 233T

**Elective outside the CCIS (Free Courses)**

The student chooses a set of courses = 4 credit hours of study courses from the Departments of other Colleges at PNU, provided that none of them has a prerequisite.



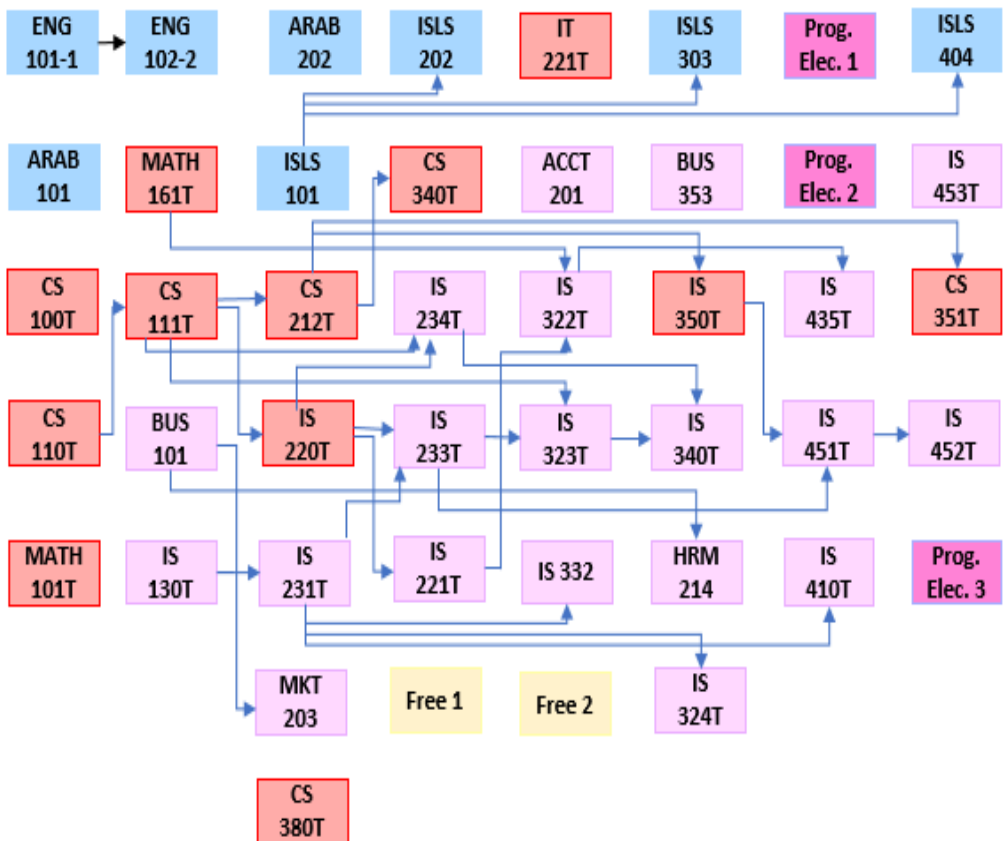
# Information Systems Study Plan

1<sup>st</sup> Year

2<sup>nd</sup> Year

3<sup>rd</sup> Year

4<sup>th</sup> Year



University Requirement

College Requirement

Program Requirement

Program Elective

Free Elective

# BSc in Information Systems Study Plan

## 1<sup>st</sup> Year

### Level 1

المتطلب السابق Prerequisites	عدد الوحدات المعتدة CR	عدد ساعات الاتصال			Code /No.	الرمز / الرقم	اسم المقرر Course Title	
		تدريب TR	عملي/ تمارين LB	نظري LT				
-	٣	-	١5		ENG 101-1	إنج ١٠١	اللغة الإنجليزية (١) English Language(1)	١
-	٣	-	٢	٢	Math101T	رياض ١٠١	حساب التفاضل والتكامل(١) Calculus (1)	٢
-	٢	-	-	٢	ARAB101	عرب ١٠١	التحرير الكتابي Arabic Composition	٣
-	٣	-	-	٣	CS 100T	عال ١٠٠	التركيب المحددة Discrete Structures	٤
-	٤	-	٢	٣	CS 110T	عال ١١٠	لغة برمجة (١) Programming language (١)	٥
١٥ وحدة دراسية					المجموع			

### Level 2

المتطلب السابق Prerequisites	عدد الوحدات المعتدة CR	عدد ساعات الاتصال			Code /No.	الرمز / الرقم	اسم المقرر Course Title	
		تدريب TR	عملي/ تمارين LB	نظري LT				
إنج ١٠١-١ ENG 101-1	٣	-	15		ENG 102-2	إنج ١٠٢	اللغة الإنجليزية (٢) English Language (2)	١
-	٣	-	٢	٢	Math 161T	رياض ١٦١	إحصاء عام General Statistics	٢
-	٣	-	-	٣	BUS 101	ادر ١٠١	مبادئ إدارة الأعمال Principles of Business Administration	٣
-	٣	-	-	٣	IS 130T	نال ١٣٠	تنظيم المعلومات (١) Information Systems (1)	٤
عال ١١٠ CS 110T	٤	-	٢	٣	CS 111T	عال ١١١	لغة برمجة (٢) Programming language(2)	٥
١٦ وحدة دراسية					المجموع			

## 2<sup>nd</sup> Year

### Level 3

المتطلب السابق Prerequisite	عدد الوحدات المعتدة CR	عدد ساعات الاتصال			Code /No.	الرمز / الرقم	اسم المقرر Course Title	
		تدريب TR	عملي/ تمارين LB	نظري LT				
-	2	-	-	2	ARAB 202	عرب ٢٠٢	التدريبات اللغوية Language Skills	1
حال ١١١١ CS 111T	4	-	2	3	IS 220T	نال ٢٢٠	أساسيات قواعد البيانات Database Fundamentals	2
حال ١١١١ CS 111T	3	-	1	3	CS 212T	حال ٢١٢	هياكل البيانات Data Structures	3
نال ١٣٠ IS 130T	3	-	-	3	IS 231T	نال ٢٣١	نظم المعلومات (2) Information Systems (2)	4
-	2	-	-	2	ISLS 101	سلم ١٠١	الثقافة الإسلامية (1) (منطلقات أساسية في الثقافة الإسلامية) Islamic Culture (1)	5
-	1	-	-	1	CS 380T	حال ٣٨٠	أخلاقيات المهنة Professional Ethics	6
أيار ١٠١ BUS101	3	-	-	3	MKT 203	تسوق ٢٠٣	مبادئ التسويق Principles of Marketing	7
18 وحدة دراسية					المجموع			

### Level 4

المتطلب السابق Prerequisite	عدد الوحدات المعتدة CR	عدد ساعات الاتصال			Code /No.	الرمز / الرقم	اسم المقرر Course Title	
		تدريب TR	عملي/ تمارين LB	نظري LT				
سلم ١٠١ ISLS 101	٢	-	-	٢	ISLS 202	سلم ٢٠٢	الثقافة الإسلامية (٢) (نظام الأسرة في الإسلام) Islamic Culture (2)	١
حال ٢١٢ CS 212T	٣	-	١	٣	CS 340T	حال ٣٤٠	نظم التشغيل Operating Systems	٢
حال ١١١١ CS 111T + نال ٢٢٠ IS 220T	٣	-	٢	٢	IS 234T	نال ٢٣٤	تطوير التطبيقات متعددة الطبقات Multi-tier Applications Development	٣
نال ٢٣١ IS 231T + نال ٢٢٠ IS 220T	٣	-	١	٣	IS 233T	نال ٢٣٣	تحليل وتصميم نظم المعلومات Information Systems Analysis and Design	٤
نال ٢٢٠ IS 220 T	٣	-	١	٣	IS 221T	نال ٢٢١	إدارة قواعد البيانات Database Management	٥
-	٢	-	-	-	-	-	مقرر حر (١) Free Elective ( ١)	٦
١٦ وحدة دراسية					المجموع			

## 3<sup>rd</sup> Year

### Level 5

المتطلب السابق Prerequisite	عدد الوحدات المعتدة CR	عدد ساعات الاتصال			Code /No.	الرمز / الرقم	اسم المقرر Course Title	
		تدريب TR	عملي/ تدريب LB	نظري LT				
دال 231T IS 231T	3	-	1	3	IS 332T	نال 332T	تصميم نظم الأعمال الإلكترونية e-Business Systems Design	1
-	3	-	1	3	IT 221T	نال 221T	أساسيات شبكات الحاسب Computer Networks Fundamentals	2
جال 111T CS 111T + نال 233T IS 233T	3	-	1	3	IS 323T	نال 323T	التصميم الكيوني الموجه Object Oriented Design	3
IS 221T نال 221T + رياض 161T Math 161T	3	-	1	3	IS 322T	نال 322T	مستودعات البيانات و التقريب عنها Data Warehousing and Data Mining	4
-	3	-	1	3	ACCT 201	حساب 201	مبادئ المحاسبة المالية Principles of Financial Accounting	5
-	2	-	-	-	-	-	مقرر حر (2) 2 Free Elective	6
<b>17 وحدة دراسية</b>					<b>المجموع</b>			

### Level 6

المتطلب السابق Prerequisite	عدد الوحدات المعتدة CR	عدد ساعات الاتصال			Code /No.	الرمز / الرقم	اسم المقرر Course Title	
		تدريب TR	عملي/ تدريب LB	نظري LT				
سلم 101 ISLS 101	2	-	-	2	ISLS 303	سلم 303	الثقافة الإسلامية (3) (فصلا المرأة المعاصرة) Islamic Culture (3)	1
نال 323 T + نال 234T IS 234T	3	-	-	3	IS 340T	نال 340T	معمارية المؤسسات Enterprise Architecture	2
-	3	-	-	3	BUS 353	إلبي 353	ريادة الأعمال Entrepreneurship	3
جال 212T CS 212T	3	-	1	3	IS 350T	نال 350T	إدارة المشاريع Projects Management	4
إلبي 101 BUS 101	3	-	-	3	HRM 214	مرد 214	السلوك التنظيمي Organizational Behavior	5
نال 231T IS 231T	3	-	1	3	IS 324T	نال 324T	امن نظم المعلومات Information Systems Security	6
<b>17 وحدة دراسية</b>					<b>المجموع</b>			

## 4<sup>th</sup> Year

### Level 7

المتطلب السابق Prerequisite	عدد الوحدات المعتمدة CR	عدد ساعات الإتصال			Code /No.	الرمز / الرقم	اسم المقرر Course Title	
		تدريب TR	عملي/ تمارين LB	نظري LT				
نال 231T IS 231T	3	-	-	3	IS 410T	نال 410T	إدارة واستراتيجية نظم المعلومات IS Management and Strategy	1
نال 322T IS 322T	3	-	1	3	IS 435T	نال 435T	نظم دعم اتخاذ القرار Decision Support Systems	2
اجتياز 90 وحدة دراسة على الأقل بنجاح + نال 350T +IS 350T نال 233T IS 233T	2	-	1	2	IS 451T	نال 451T	مشروع التخرج (1) Graduation Project(1) (Capstone 1)	3
-	3	-	-	-	-	-	مطلب تخصص اختياري (1) Department Elective (1)	4
-	3	-	-	-	-	-	مطلب تخصص اختياري (2) Department Elective (2)	5
14 وحدة دراسية					المجموع			

### Level 8

المتطلب السابق Prerequisite	عدد الوحدات المعتمدة CR	عدد ساعات الإتصال			Code /No.	الرمز / الرقم	اسم المقرر Course Title	
		تدريب TR	عملي/ تمارين LB	نظري LT				
نال 451T IS 451T	2	-	2	1	IS 452T	نال 452T	مشروع التخرج (2) Graduation Project (2) (Capstone 2)	1
عال 212T CS 212T	3	-	1	3	CS 351T	عال 351T	التفاعل بين الإنسان و الحاسب Human-Computer Interaction	2
سلم 101 ISLS 101	2	-	-	2	ISLS 404	سلم 404	الثقافة الإسلامية (4) (مناهج فكرية معاصرة) Islamic Culture (4)	3
اجتياز 90 وحدة دراسة على الأقل بنجاح	4	6	-	2	IS 453T	نال 453T	التدريب الميداني Internship	4
-	3	-	-	-	-	-	مطلب تخصص اختياري (3) Department Elective (3)	5
14 وحدة دراسية					المجموع			

# **BSc in Data Science and Analytics Program**

## **Program Vision**

Achieve local and regional excellence in the fields of Data Science and Analytics.

## **Program Mission**

Preparing distinguished competencies scientifically and practically in the field of Data Science and Analytics by providing an integrated environment for education and innovative scientific research that develops creative and analytical capabilities in accordance with local and international standards of quality in a way that contributes to serving the community and building the knowledge economy.

## **Program Objectives**

1. Preparing women cadres specialized in Data Science and Analytics that are able to compete in the labor market
2. Maintaining excellence by achieving quality standards and academic accreditation locally and globally.
3. Developing innovative ideas for scientific research through activities and research on contemporary topics in data science and analysis
4. Effective contribution to community service and knowledge economics in various fields in terms of data science and analysis.

## **Program Educational Objectives (PEOs)**

Program graduates will be able to :

1. Apply their skills to deal with the technological challenges in the field of Data Science and Analytics in order to fulfill society and labor market requirements.
2. Pursue advanced studies, learn independently, grow intellectually and start their own businesses.
3. Meet the needs of the regional industries, participate in community activities, understand the role of technological safety and ethics and the impact of their actions on the society and the environment.

## **Career Opportunities**

Graduates of the Data Science and Analytics Program can work in banks, hospitals, educational institutions, and private and public sector institutions.

The Data Science and Analytics Program was specifically designed to provide students with the knowledge and skills required to join labor forces in Saudi Arabia and the world. The program qualifies women cadres capable of working in various Data Science jobs in the public and private sectors, including, but not limited to:

- Data Analyst
- Data Engineer
- Data Scientist
- Business Intelligence Analyst
- Researcher in Data Science
- Data Science Instructor

## **BSc in Data Science and Analytics Program**

### **Requirements:**

In order for students to graduate with a Bachelor Degree in Data Science and Analytics, they are required to fulfill 127 credit hours, which are distributed among various components as shown in Table.6.

**Table 6 : BSc In Data Science and Analytics Program Requirements**

Requirements		Credit Hours
University Requirements		18
College Requirements	Compulsory	37
Program Requirements	Compulsory	63
	Elective	9
<b>Total Credit Hours :</b>		<b>127</b>

**Table 7 : University Requirements (18 credits)**

Code	Course Title	Credits	Prerequisite
ISLS 101	Islamic Culture (1)	2	-
ISLS 102	Islamic Culture (2)	2	ISLS 101
ISLS 103	Islamic Culture (3)	2	ISLS 101
ISLS 104	Islamic Culture (4)	2	ISLS 101
ARAB 101	Arabic Composition	2	-
ARAB 202	Language Skills	2	-
ENG 101-1	English Language (1)	3	-
ENG 102-2	English Language (2)	3	ENG 101-1
<b>Total : 18 Credit Hours</b>			

**Table 8 : College Requirements (37 credits)**

Code	Course Title	Credits	Prerequisite
Math 101T	Calculus (1)	3	-
CS 212T	Data Structures	3	CS 111T
CS 110T	Programming Language (1)	4	-
CS 111T	Programming Language (2)	4	CS 110T
IT 221T	Computer Networks Fundamentals	3	-
Math 161T	General Statistics	3	-
IS 220T	Database Fundamentals	4	CS 111T
CS 380T	Professional Ethics	1	-
IS 350T	Projects Management	3	CS 212T
CS 100T	Discrete Structures	3	-
CS 340T	Operating Systems	3	CS 212T
CS 351T	Human-Computer Interaction	3	CS 212T
<b>Total : 37 Credit Hours</b>			



**Table 9 : Program Requirements (63 Credits)**

Code	Course Title	Credits	Prerequisite
BUS 101	Principles of Business Administration	3	-
DS 111	Introduction to Data Science	3	DS 111
MATH 103T	Calculus II	4	MATH 101T
MATH 242T	Principles of Linear Algebra	3	MATH 101T
CS385	Software Engineering	3	IS 220T
MATH 367T	Theory of Probability	3	MATH 103T , MATH 161T
DS 242	Data Governance	3	DS 111
CS 220T	Algorithms Design and Analysis	3	CS 100T, CS 212T
DS 312	Data Mining	3	IS 220T, DS 111
DS 321	Information Retrieval	3	CS212T, MATH 242T
MATH 368T	Statistical Analysis for Data	3	MATH 161 T
DS 331	Big Data	4	IS 220T , DS 312
DS 322	Business Intelligence	3	BUS 101, MATH 368T, DS 312
DS 323	Machine Learning	3	DS 312
DS 424	Time Series and Forecasting in Data Science	3	DS 322, MATH 368T
DS 413	Data Exploration and Visualisation	3	CS 220T, DS 321
DS 443	Data Privacy and Security	3	DS 242
DS 451	Graduation Project (1)	2	Passing 90 hours , IS350T
DS 452	Graduation Project (2)	2	DS 451
DS 453	Internship	6	Passing 119 hours

**Total : 63 Credit Hours**

**Table 10 : Program Electives (Choose 3 Courses - 9 Credits)**

<b>Code</b>	<b>Course Title</b>	<b>Credits</b>	<b>Prerequisite</b>
DS 341	Data Warehousing	3	DS312
DS 432	Cloud Management and Security	3	DS 111
DS 433	Web Analytics	3	DS 331
DS 434	Selected Topics (1)	3	DS 111
DS 434	Selected Topics (2)	3	DS 111
DS 414	Tools for Data Science	3	DS 312
BUS 353	Entrepreneurship	3	-
DS 361	Data science for Business	3	DS 322
DS 435	Data Science for Healthcare	3	DS 312
DS 436	Multimedia Data Analysis	3	DS 321

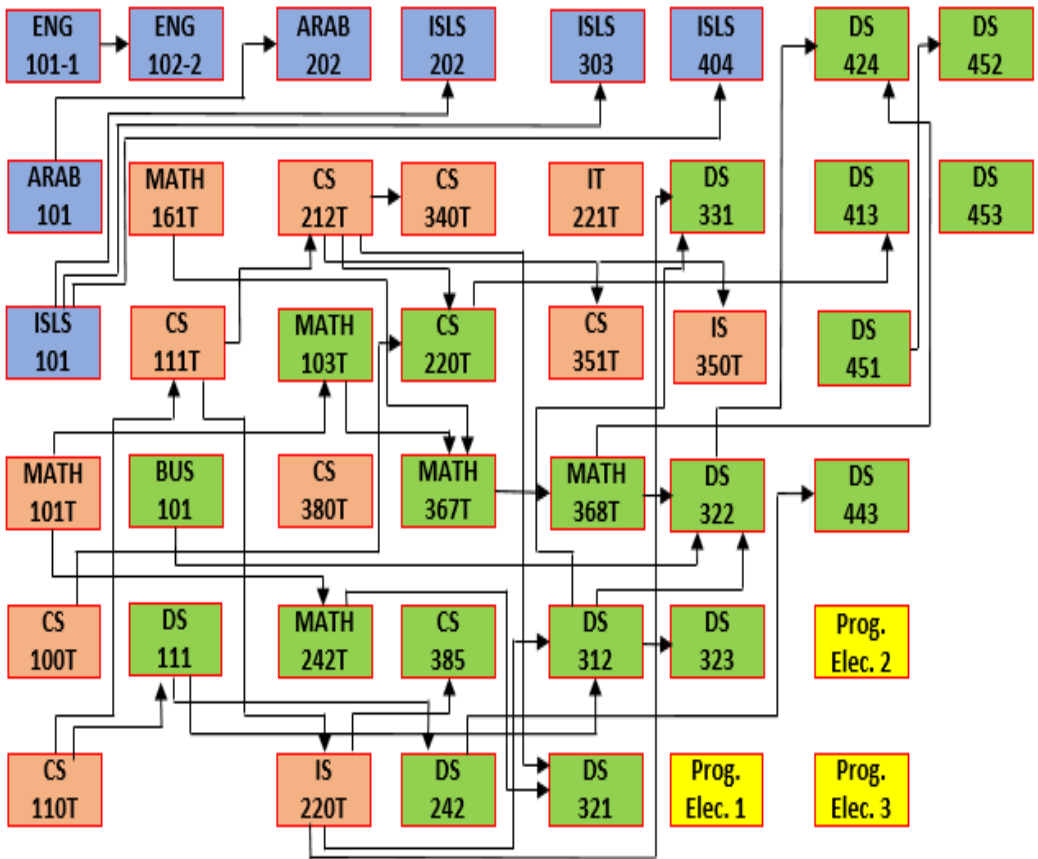
# Data Science and Analytics Study Plan

1<sup>st</sup> Year

2<sup>nd</sup> Year

3<sup>rd</sup> Year

4<sup>th</sup> Year



	University Requirement		Program Requirement
	College Requirement		Program Elective

# BSc in Data Science and Analytics Study Plan

## 1<sup>st</sup> Year

### Level 1

المتطلب السابق Prerequisites	عدد الوحدات المعتمدة CR	عدد ساعات الإكمال			.Code /No	الرمز / الرقم	اسم المقرر Course Title	
		تدريب TR	عملي/ تمارين LB	نظري LT				
-	3	-	15		ENG 101-1	إنج ١٠١	اللغة الإنجليزية(1) English Language(1)	1
-	3	-	2	2	Math 101T	رياض ١٠١	التفاضل والتكامل (1) حساب Calculus (1)	2
-	2	-	-	2	ARAB 101	عرب ١٠١	التحرير الكتابي Arabic Composition	3
-	3	-	-	3	CS 100T	عال ١٠٠	التركيب المحددة Discrete Structures	4
-	4	-	2	3	CS 110T	عال ١١٠	لغة برمجة (1) Programming language (1)	5
-	2	-	-	2	ISLS 101	مسلم ١٠١	الثقافة الإسلامية (1) (مطلقات أساسية في الثقافة الإسلامية) Islamic Culture (1)	6
17 وحدة دراسية					المجموع			

### Level 2

المتطلب السابق Prerequisites	عدد الوحدات المعتمدة CR	عدد ساعات الإكمال			.Code /No	الرمز / الرقم	اسم المقرر Course Title	
		تدريب TR	عملي/ تمارين LB	نظري LT				
إنج ١٠١ ENG 101-1	3	-	15		ENG 102-2	إنج ١٠٢	اللغة الانجليزية (2) English Language (2)	1
-	3	-	2	2	Math 161T	رياض ١٦١	إحصاء عام General Statistics	2
-	3	-	-	3	BUS 101	ادر ١٠١	مبادئ إدارة الأعمال Principles of Business Administration	3
عال ١١٠ CS110T	3	-	2	2	DS 111	بان ١١١	مقدمة في علم البيانات Introduction to Data Science	4
عال ١١٠ CS 110T	4	-	2	3	CS 111T	عال ١١١	لغة برمجة (2) Programming language(2)	5
16 وحدة دراسية					المجموع			

## 2<sup>nd</sup> Year Level 3

المتطلب السابق Prerequisite	عدد الوحدات المعتمدة CR	عدد ساعات الإكمال			.Code /No	الرمز / الرقم	اسم المقرر Course Title	
		تدريب TR	عملي/ تمارين LB	نظري LT				
-	2	-	-	2	ARAB 202	عرب ٢٠٢	التدريبات اللغوية Language Skills	1
عال ١١١ CS 111T	4	-	2	3	IS 220T	نال ٢٢٠	أساسيات قواعد البيانات Database Fundamentals	2
عال 111ت CS 111T	3	-	1	3	CS 212T	عال ٢١٢	هياكل البيانات Data Structures	3
رياض ١٠١ MATH 101T	4	-	2	3	MATH 103T	رياض 103	التفاضل والتكامل (II) Calculus II	4
-	1	-	-	1	CS 380T	عال ٣٨٠	أخلاقيات المهنة Professional Ethics	5
رياض ١٠١ MATH 101T	3	-	2	2	MATH 242T	رياض ٢٤٢	مبادئ الجبر الخطي Principles of Linear Algebra	6
17 وحدة دراسية					المجموع			

## Level 4

المتطلب السابق Prerequisite	عدد الوحدات المعتمدة CR	عدد ساعات الإكمال			.Code /No	الرمز / الرقم	اسم المقرر Course Title	
		تدريب TR	عملي/ تمارين LB	نظري LT				
سلم ١٠١ ISLS 101	2	-	-	2	ISLS 202	سلم ٢٠٢	الثقافة الإسلامية(2) (نظام الأسرة في الإسلام) Islamic Culture (2)	1
عال ٢١٢ CS 212T	3	-	1	3	CS 340T	عال ٣٤٠	نظم التشغيل Operating Systems	2
نال ٢٢٠ IS 220T	3	-	1	3	CS385	عال 385	هندسة البرمجيات Software Engineering	3
رياض ١٠٣ MATH 103T رياض ١٦٦ MATH 161T	3	-	2	2	MATH 367T	رياض 367	نظريه الاحتمالات Theory of Probability	4
بان ١١١ DS 111	3	-	-	3	DS 242	بان 242	حوكمة البيانات Data Governance	5
عال ١٠٠ CS 100T عال 212 CS 212T	3	-	1	3	CS 220T	عال ٢٢٠	تصميم وتحليل الخوارزميات Algorithms Design and Analysis	6
17 وحدة دراسية					المجموع			

# 3rd Year

## Level 5

المتطلب السابق Prerequisite	عدد الوحدات المحصدة CR	عدد ساعات الاتصال			.Code /No	الرمز / الرقم	اسم المقرر Course Title	
		تدريب TR	عملي/ تمارين LB	نظري LT				
دال 220T IS بان 111111 DS	3	-	2	2	DS 312	بان 312	تقيب البيانات Data Mining	1
-	3	-	1	3	IT 221T	قال 221ت	أسسوك شبكات الحاسب Computer Networks Fundamentals	2
CS212T عال 212ت , MATH 242T ريص 242ت	3	-	1	3	DS 321	بان 321	استرجاع المعلومات Information Retrieval	3
عال 212ت CS 212T	3	-	1	3	CS 351T	عال 351ت	التفاعل بين الإنسان والحاسب Human-Computer Interaction	4
ريص 367ت MATH 367T	3	-	2	2	MATH 368T	ريص 368ت	التحليل الإحصائي للبيانات Statistical Analysis for Data	5
سلم 101 ISLS101	2	-	-	2	ISLS 303	سلم 303	ثقافة اسلامية (3) (كهدايا المرآة المعاصرة) Islamic Culture 3	6
17 وحدة دراسية					المجموع			

## Level 6

المتطلب السابق Prerequisite	عدد الوحدات المحصدة CR	عدد ساعات الاتصال			.Code /No	الرمز / الرقم	اسم المقرر Course Title	
		تدريب TR	عملي/ تمارين LB	نظري LT				
سلم 101 ISLS 101	2	-	-	2	ISLS 404	سلم 404	ثقافة اسلامية (4) (مذاهب فكرية معاصرة) Islamic Culture 4	1
IS 220T قال 220ت , بان 312 DS DS 312	4	-	2	3	DS 331	بان 331	البيانات الضخمة Big Data	2
-	3	-	-	-	-	-	متطلب اختياري (1) Program Elective (1)	3
عال 212ت CS 212T	3	-	1	3	IS 350T	دال 350ت	إدارة المشاريع Projects Management	4
التر 101 BUS 101, ريص 368ت, MATH 368T بان 312 DS 312	3	-	1	3	DS 322	بان 322	ذكاء الاعمال Business Intelligence	5
بان 312 DS 312	3	-	2	2	DS 323	بان 323	تعلم الآلة Machine Learning	6
18 وحدة دراسية					المجموع			

## 4<sup>th</sup> Year

### Level 7

المتطلب السابق Prerequisite	عدد الوحدات المعتمدة CR	عدد ساعات الإتصال			.Code /No	الرمز / الرقم	اسم المقرر Course Title	
		تدريب TR	عملي/ تمارين LB	نظري LT				
بان ٣٢٢ DS322 رياضة ٣٦٨، MATH 368T	3	-	2	2	DS 424	بان ٤٢٤	الساحل الزمنية والتنبؤ في علم البيانات Time Series and Forecasting in Data Science	1
عال ٢٢٠ CS 220T	3	-	2	2	DS 413	بان ٤١٣	استكشاف وتصوير البيانات Data Exploration and Visualization	2
اجتياز 90 وحدة دراسية على الأقل بنجاح + دال ٣٥٠	2	-	1	2	DS 451	بان ٤٥١	مشروع التخرج (1) Graduation Project (1)	3
-	3	-	-	-	-	-	مطلب اختياري (2) Program Elective (2)	4
-	3	-	-	-	-	-	مطلب اختياري (3) Program Elective (3)	5
بان ٢٤٢ DS 242	3	-	1	3	DS 443	بان ٤٤٣	امن وخصوصية البيانات Data Privacy and Security	6
17 وحدة دراسية					المجموع			

### Level 8

المتطلب السابق Prerequisite	عدد الوحدات المعتمدة CR	عدد ساعات الإتصال			.Code /No	الرمز / الرقم	اسم المقرر Course Title	
		تدريب TR	عملي/ تمارين LB	نظري LT				
بان ٤٥١ DS 451	2	-	2	1	DS 452	بان ٤٥٢	مشروع التخرج (2) Graduation Project (2)	1
اجتياز 119 وحدة دراسية على الأقل بنجاح	6	24	-	2	DS 453	بان ٤٥٣	التدريب الميداني Internship	2
8 وحدات دراسية					المجموع			

جامعة الأميرة  
نورة بنت عبدالرحمن  
كلية علوم الحاسب والمعلومات

